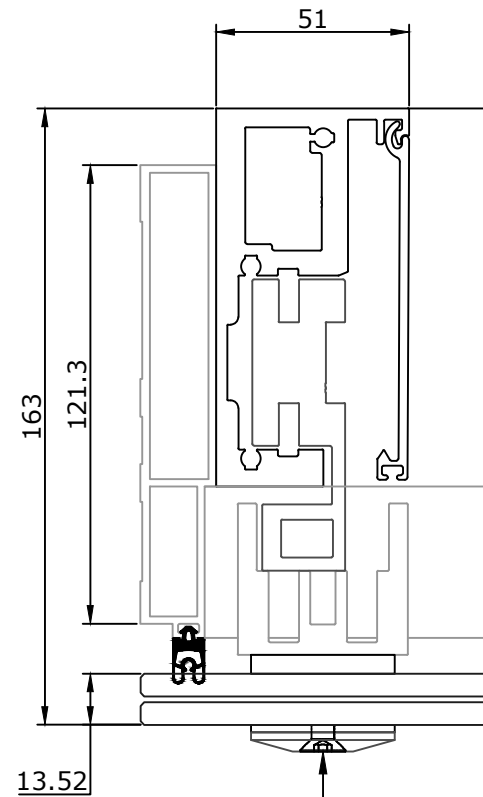
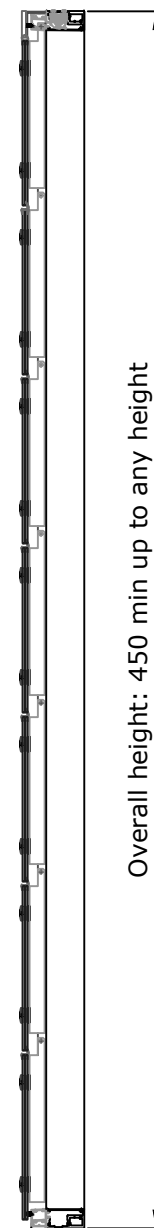
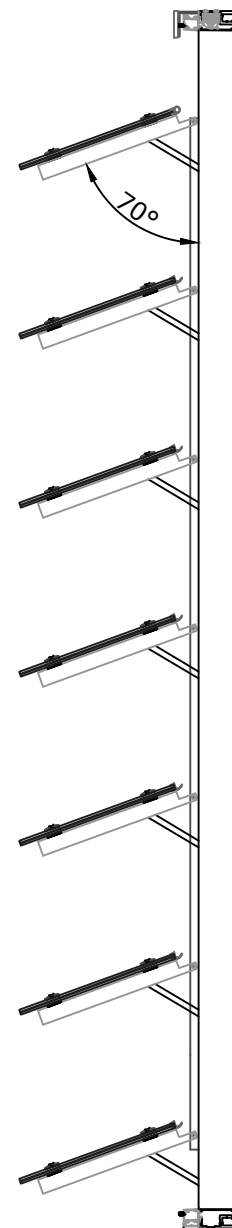
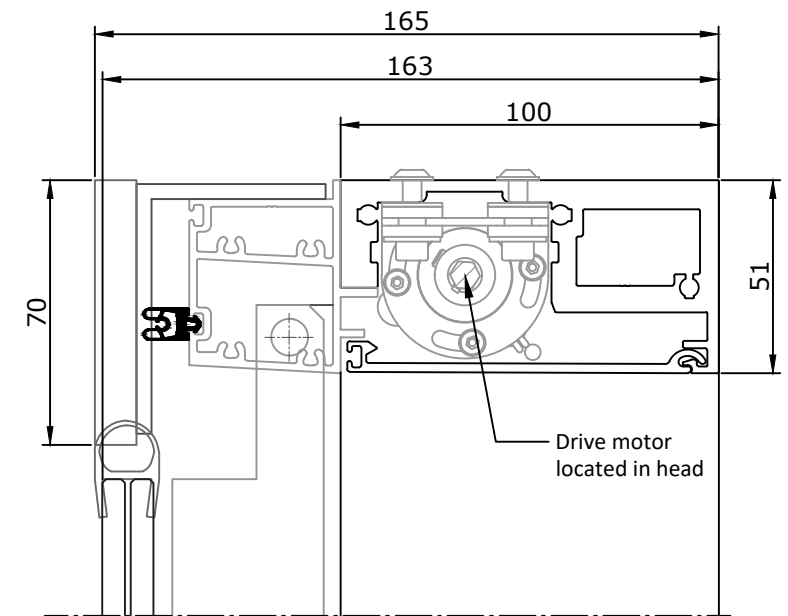


External Elevation & Sections - Scale 1:20

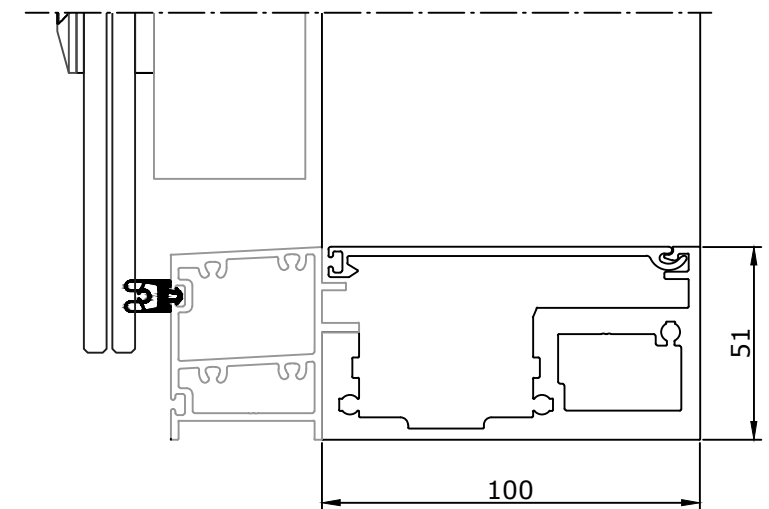


St. Stl. Grade 316 Patch fittings  
(with rubber washers)  
for securing glass blades

Typical Mullion Detail  
Scale 1:2



Typical Head Detail  
Scale 1:2



Typical Sill Detail  
Scale 1:2

**Glazing Notes:**

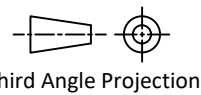
Types of glass shown:  
13.52mm Laminated Grade A Safety Glass

Note: Glazing details on this drawing are for example purposes only.  
Blade design/sizing and glass thickness dependent on project requirements, compliance with relevant standards and project specific wind loads.

Louvre System Type: LF550

Glazing Arrangement: Single Span Blades - 13.52mm Glass

Operation Type: Automated



EBSA Pty Ltd  
1300 327 200  
sales@ebsa.com.au

EBSA NZ Ltd  
+64 (0)9 8840025  
info@ebsa.co.nz  
www.ebsa.com.au

Rev	Rev Date	Revision Description	Drawn	L.C.
0	30.6.20			

Drawing Reference: LF550-SS-13.52

Title: LF550 Louvre System - Example Drawing (Single Span Design)

Date: 30.06.2020

Scale: As Details | Paper Size: A3 | Sheet No: 1 of 1