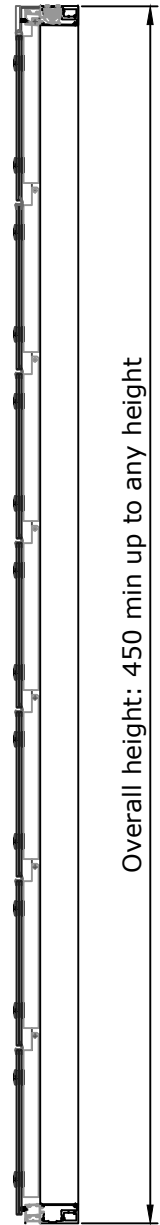
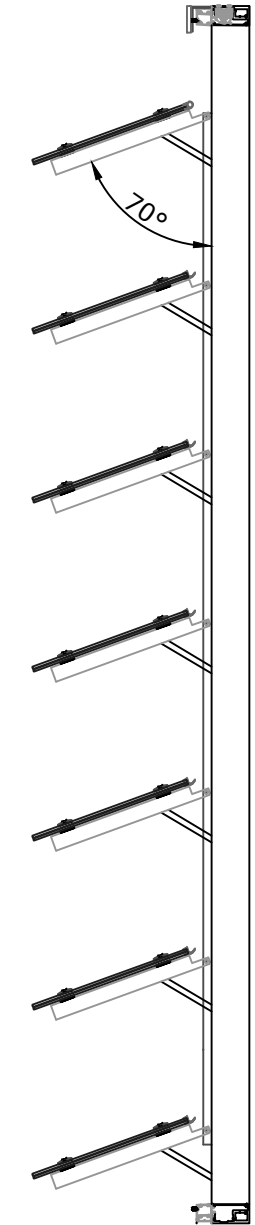
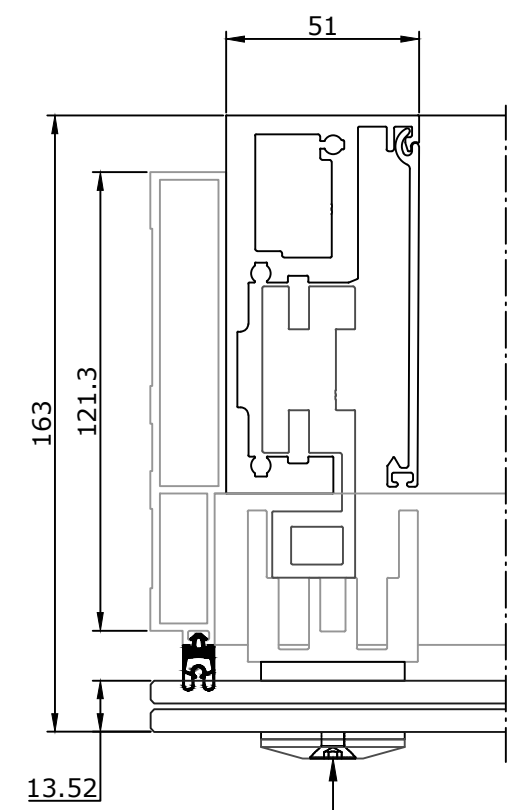


3219 overall example height: Blade Height = 300 min/550 max

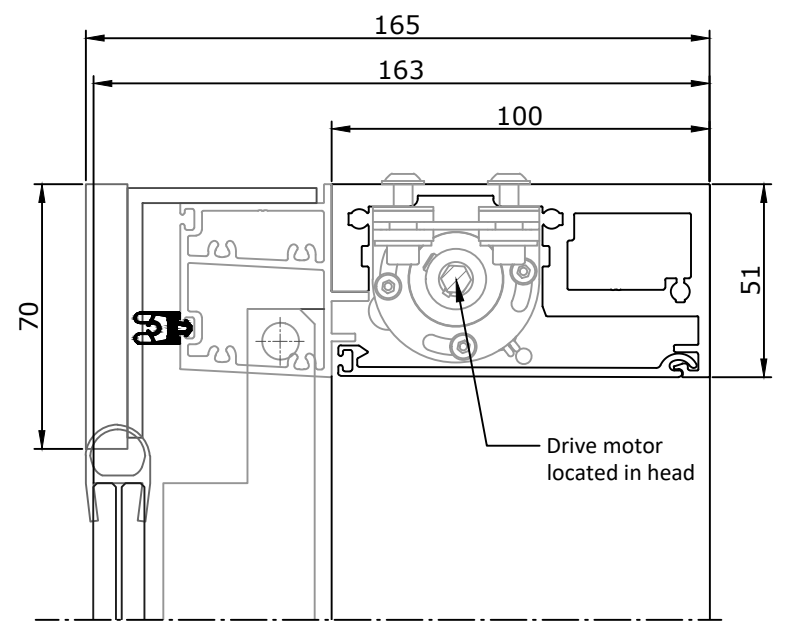


Overall height: 450 min up to any height

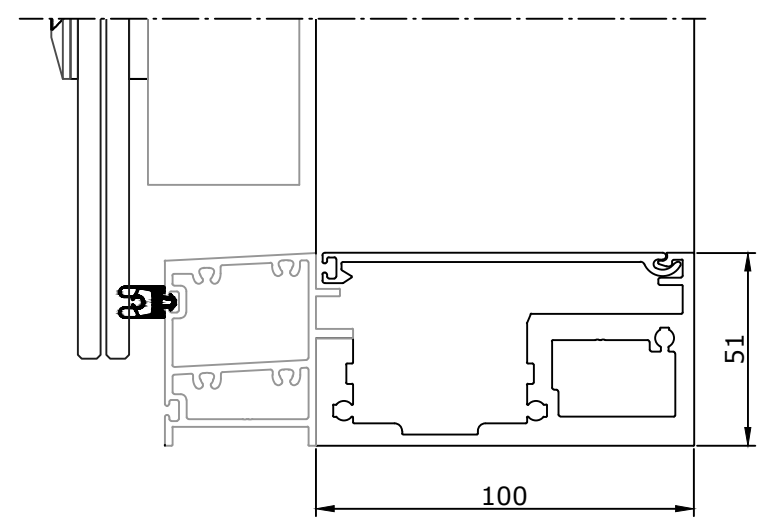


St. Stl. Grade 316 Patch fittings (with rubber washers) for securing glass blades

Typical Mullion Detail Scale 1:2



Typical Head Detail Scale 1:2



Typical Sill Detail Scale 1:2

External Elevation & Sections - Scale 1:20

Glazing Notes:
 Types of glass shown:
 13.52mm Laminated Grade A Safety Glass
 Note*: Glazing details on this drawing are for example purposes only. Blade design/sizing and glass thickness dependent on project requirements, compliance with relevant standards and project specific wind loads.

Louvre System Type:	LF550
Glazing Arrangement:	Continuous Blades - 13.52mm Glass
Operation Type:	Automated

EBSA
 Window Automation | Operable Glass Roofs
 Architectural Glass Louvres

schneider
 LOUVRES

Third Angle Projection

EBSA Pty Ltd
 1300 327 200
 sales@ebsa.com.au

EBSA NZ Ltd
 +64 (0)9 8840025
 info@ebsa.co.nz
 www.ebsa.com.au

Rev	Rev Date	Revision Description	Drawn	L.C.
0	30.6.20			

Revision Schedule

Copyright 2021 EBSA Pty. Ltd. This Drawing May Not Be Relayed Without Our Approval. All dimensions in mm

Drawing Reference:	LF550-CB-13.52
Title:	LF550 Louvre System - Example Drawing (Continuous Blades Design)
Date:	30.06.2020
Scale:	As Details
Paper Size:	A3
Sheet No:	1 of 1