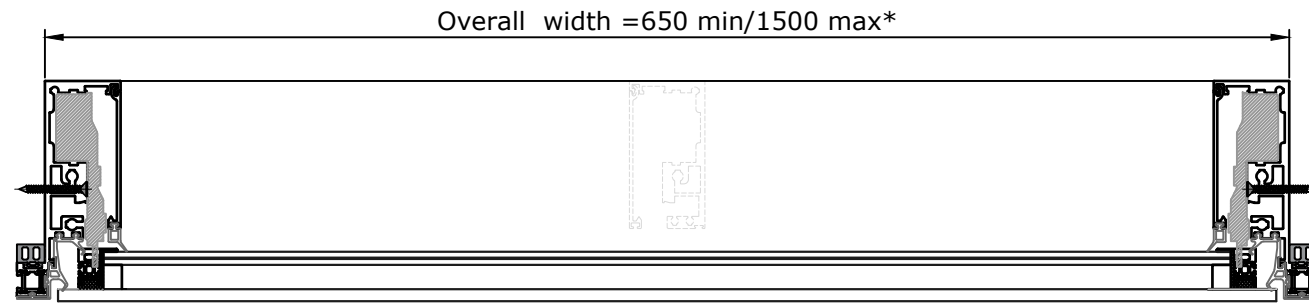
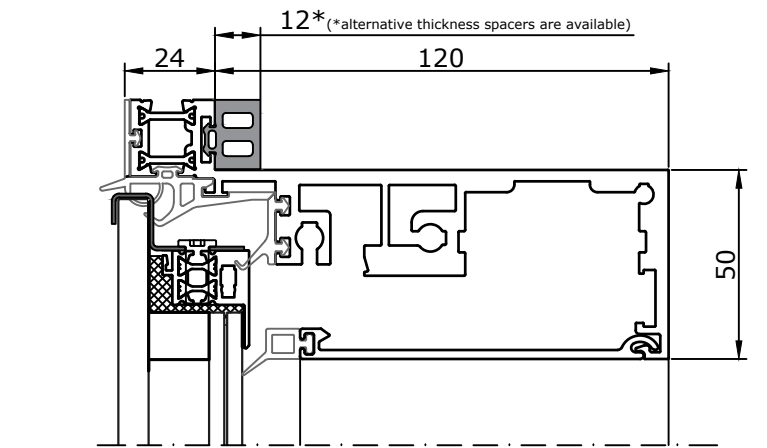


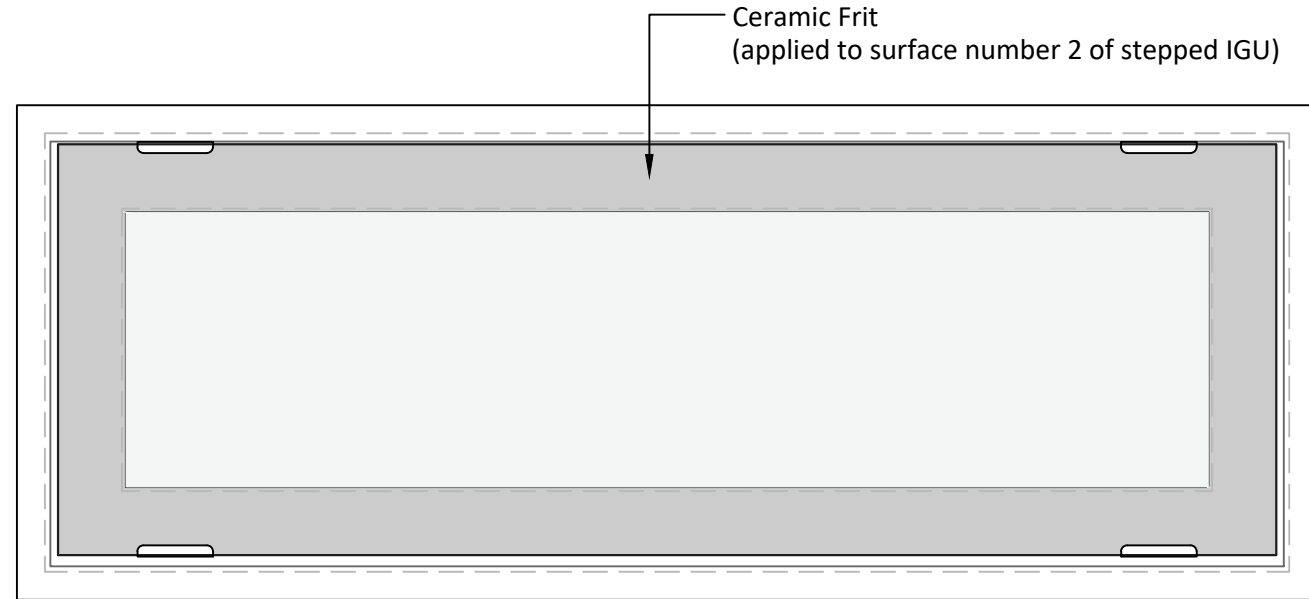
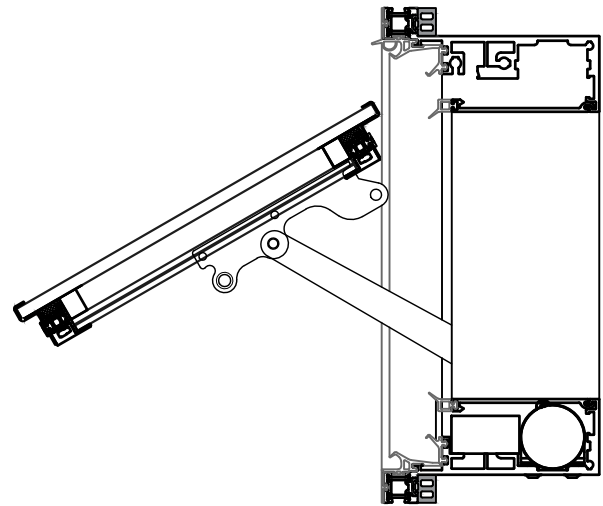
Notes:
 Types of glass shown:
 32mm Stepped IGU
 *Max width can be increased by
 introduction of an intermediate mullion



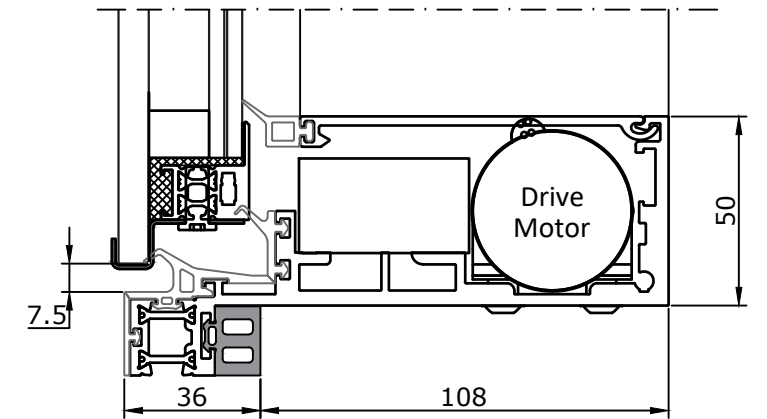
Horizontal Section - Scale 1:5



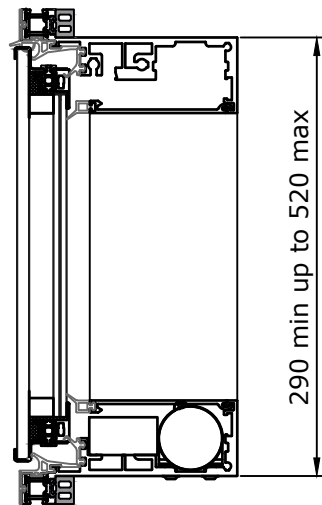
Header Detail - Scale 1:2



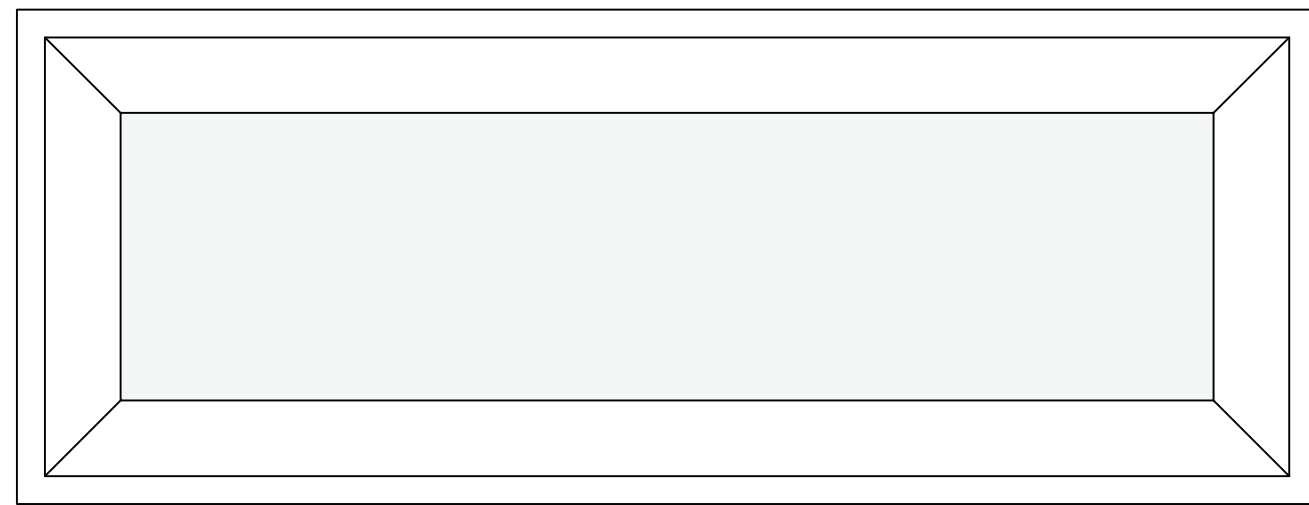
Exterior View - Scale 1:5



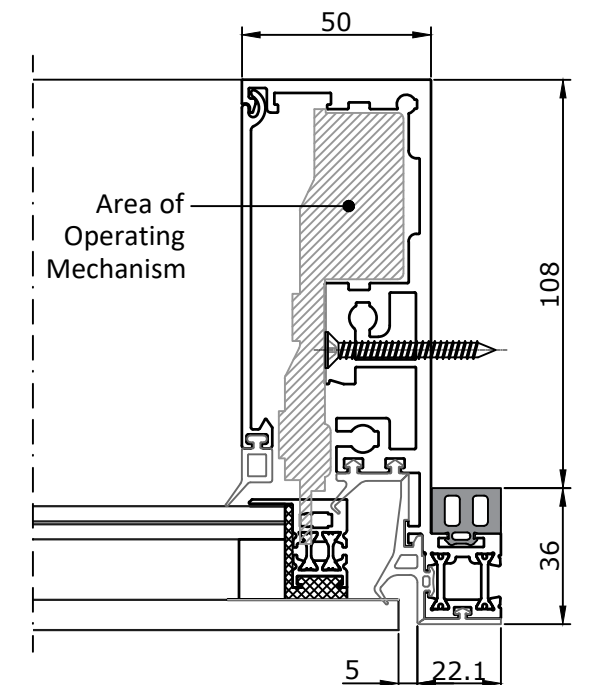
Sill Detail - Scale 1:2



Vertical Sections - Scale 1:5



Interior View - Scale 1:5

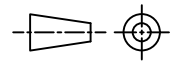


Jamb/Mullion Details - Scale 1:2

Louvre System Type: MP2

Glazing Arrangement: Double Glazed, Frameless

Operation Type: Automated



Third Angle Projection

EBSA Pty Ltd
 1300 327 200
 sales@ebsa.com.au

EBSA NZ Ltd
 +64 (0)9 8840025
 info@ebsa.co.nz
 www.ebsa.com.au

Rev	Rev Date	Revision Description	Drawn	L.C.
0	22.11.22	Original Issue		

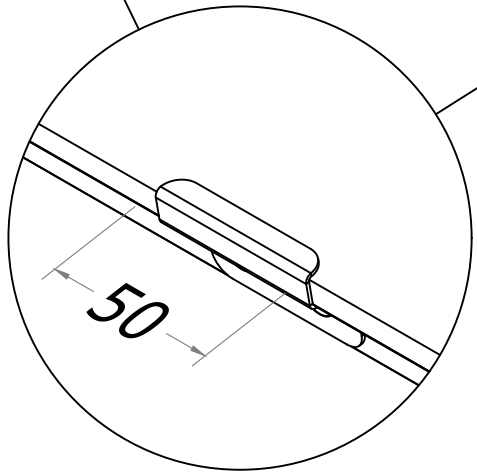
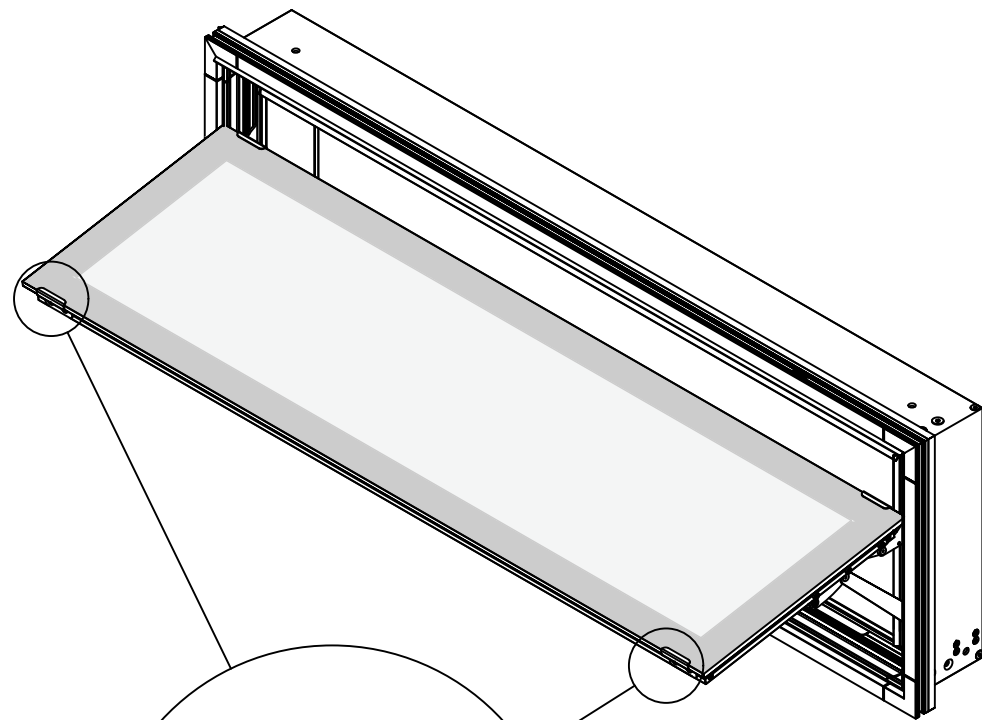
Copyright 2021 EBSA Pty. Ltd. This Drawing May Not Be Relayed Without Our Approval. All dimensions in mm

Drawing Reference: EBSA-MP2-FL-SB

Title: MP2 Louvre System: Frameless, Double Glazed Single Blade Louvre

Date: 22.11.2022

Scale: As Details Paper Size: A3 Sheet No: 1 of 2



Typical glazing retention bracket locations

Glass Retention Detail:
Header - Scale 1:1

Top
Retention
Bracket

Ceramic Frit

Glass Retention Detail:
Head - Scale 1:1

Ceramic Frit

Bottom
Retention
Bracket

Glass Retention Detail:
Sill - Scale 1:1

Ceramic Frit

DC 975 Structural Silicone
Glazing Sealant

3M Structural Glazing Tape

Typical Fixings:
Series 500 or 10 Gauge/14
Gauge St. Stl. Self Tapping
Screws (dependant on
installtion)

3M Structural Glazing Tape

DC 975 Structural Silicone
Glazing Sealant

Area of
Operating
Mechanism

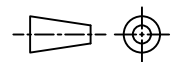
71.5

Glass Retention at Mullion
plus Mullion Fixing Details - Scale 1:1

Louvre System Type: MP2

Glazing Arrangement: Double Glazed, Frameless

Operation Type: Automated



Third Angle Projection

EBSA Pty Ltd
1300 327 200
sales@ebsa.com.au

EBSA NZ Ltd
+64 (0)9 8840025
info@ebsa.co.nz
www.ebsa.com.au

Rev	Rev Date	Revision Description	Drawn	L.C.
0	22.11.22	Original Issue		L.C.
Rev:	Rev Date:	Revision Description:		Drawn

Revision Schedule

Copyright 2021 EBSA Pty. Ltd. This Drawing May Not Be Relayed Without Our Approval. All dimensions in mm

Drawing Reference: EBSA-MP2-FL-SB

Title: MP2 Louvre System: Frameless, Double Glazed
Single Blade Louvre

Date: 22.11.2022

Scale: As Details Paper Size: A3 Sheet No: 2 of 2