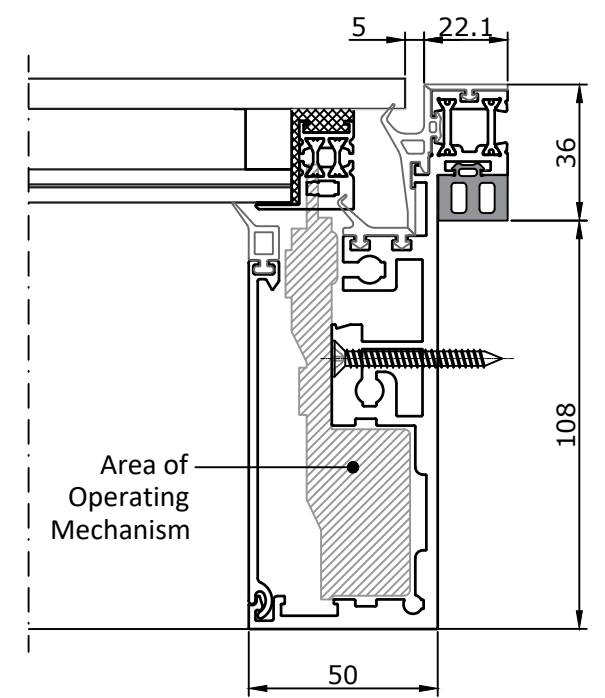
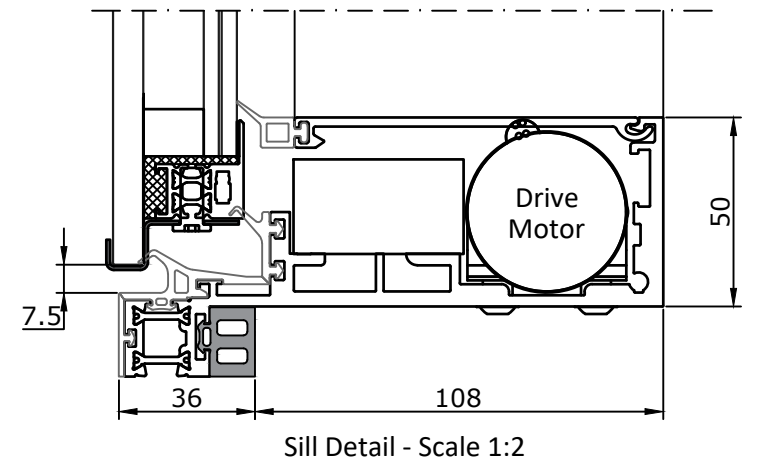
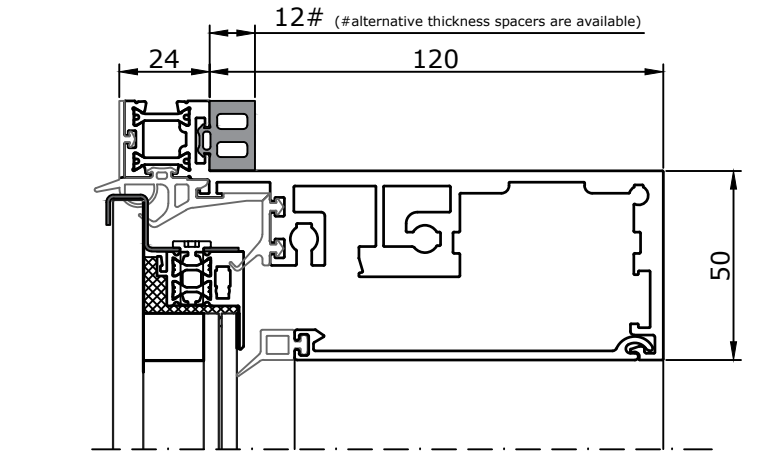
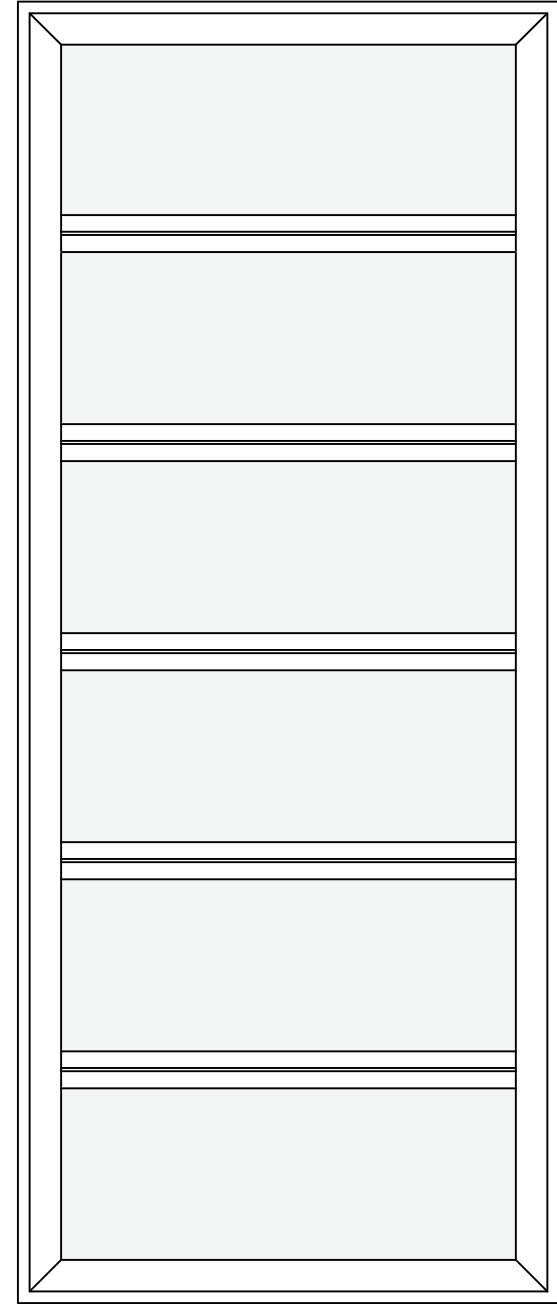
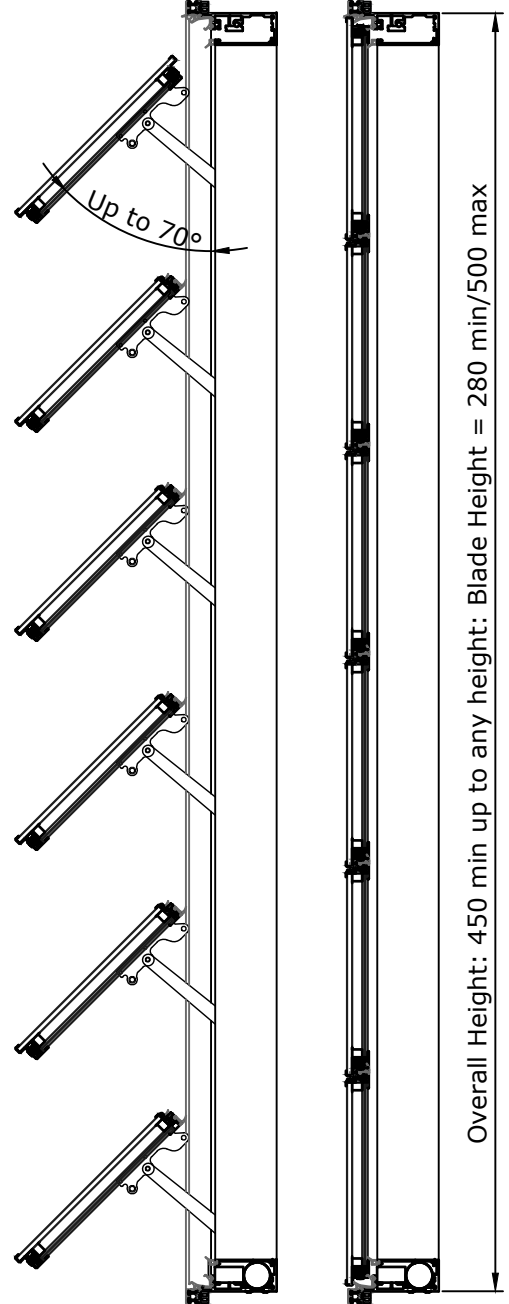
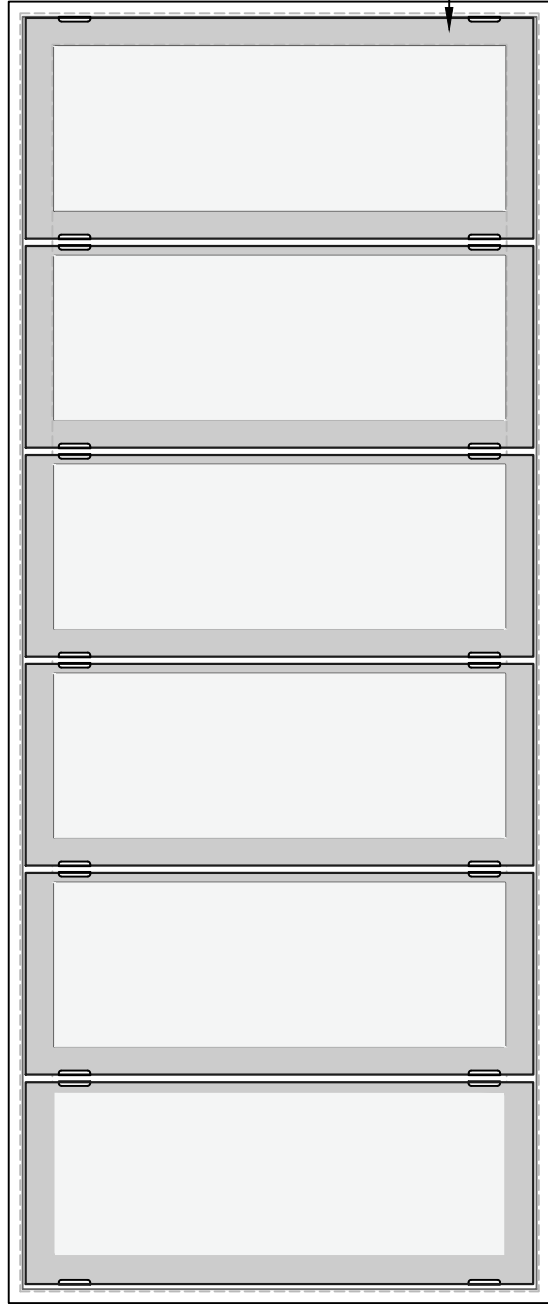
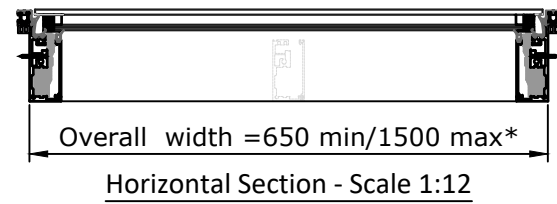


Notes:
 Types of glass shown:
 32mm Stepped IGU
 *Max width can be increased by
 introduction of an intermediate mullion

Ceramic Frit
 (applied to surface number 2 of stepped IGU)



Louvre System Type:	MP2
Glazing Arrangement:	Double Glazed, Frameless
Operation Type:	Automated

Third Angle Projection

EBSA Pty Ltd
 1300 327 200
 sales@ebsa.com.au

EBSA NZ Ltd
 +64 (0)9 8840025
 info@ebsa.co.nz
 www.ebsa.com.au

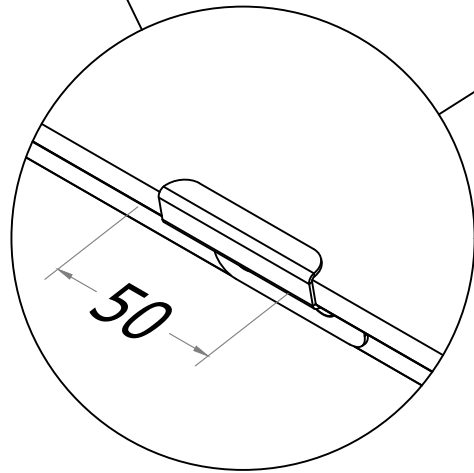
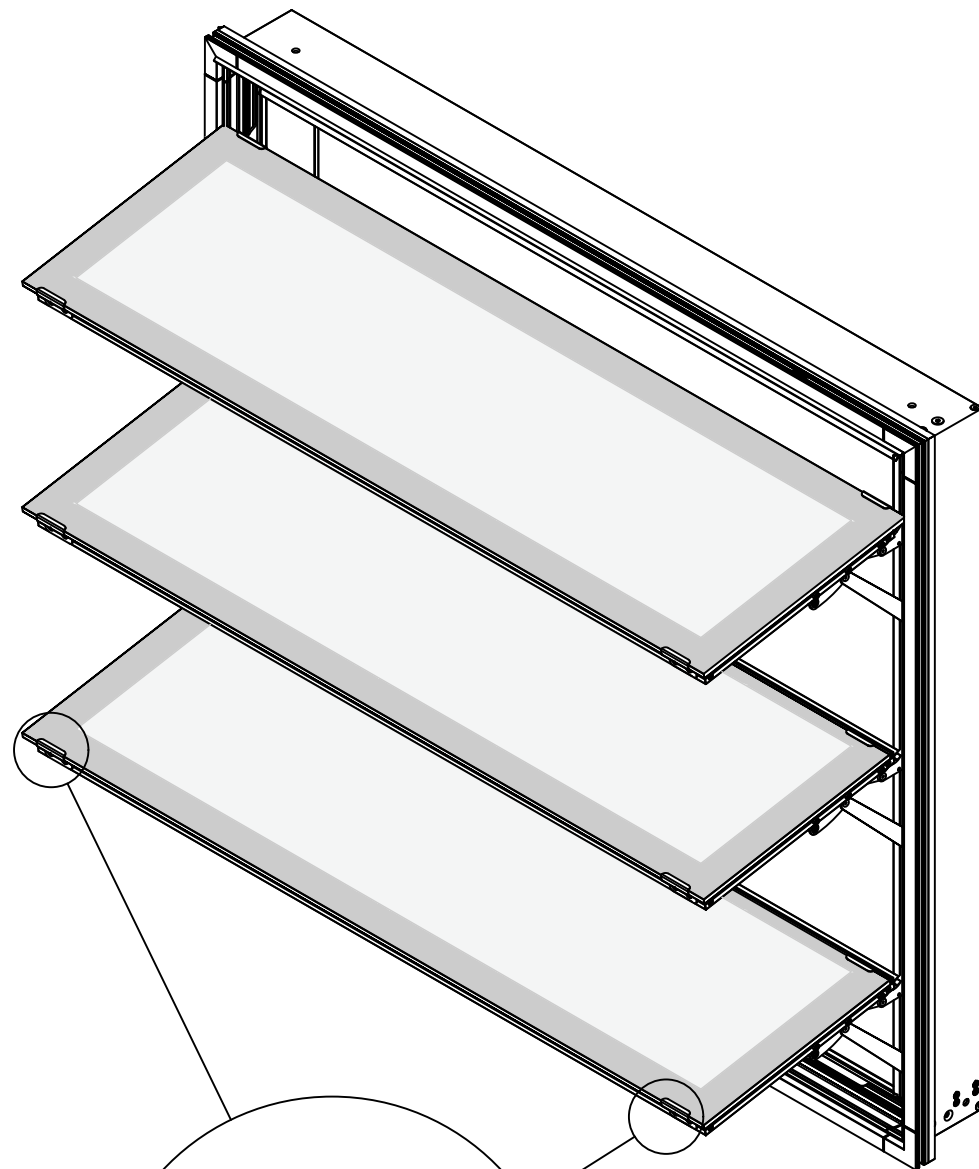
EBSA Pty Ltd reserves the right to make changes to the design and specifications as detailed on this drawing without prior notification.

Rev	Rev Date	Revision Description	Drawn
1	24.11.22	Area of operating mechanism notes/details added	L.C.
0	21.08.18	Original issue	L.C.

Revision Schedule

Copyright 2021 EBSA Pty. Ltd. This Drawing May Not Be Relayed Without Our Approval. All dimensions in mm

Drawing Reference:	EBSA-MP2-FL-1
Title:	MP2 Louvre System: SGI Frameless, Double Glazed
Date:	21.08.2018
Scale:	As Details
Paper Size:	A3
Sheet No:	1 of 2

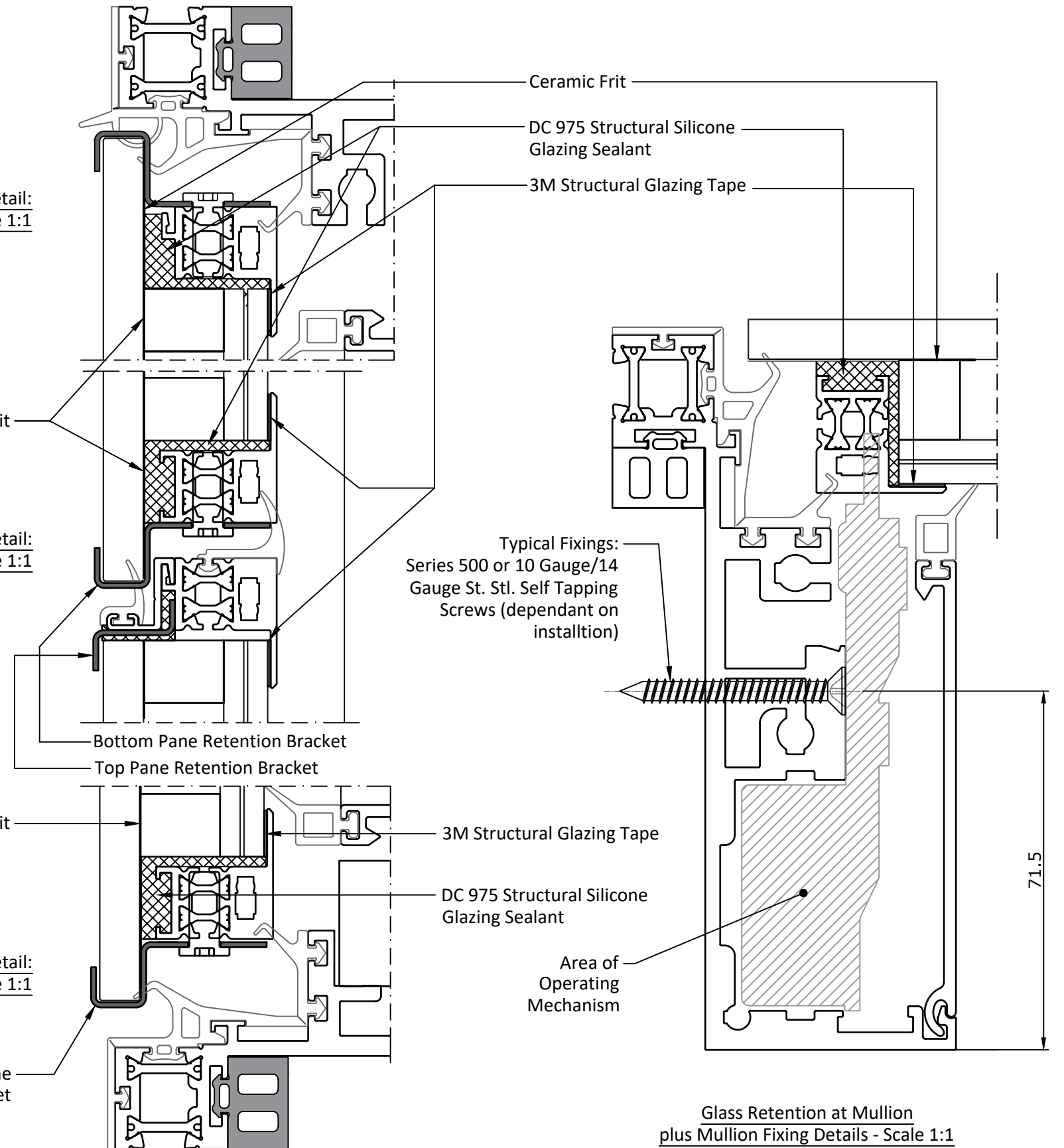


Typical glazing retention bracket locations

Glass Retention Detail:
Header - Scale 1:1

Glass Retention Detail:
Intermediate - Scale 1:1

Glass Retention Detail:
Sill - Scale 1:1

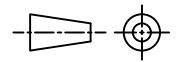


Glass Retention at Mullion
plus Mullion Fixing Details - Scale 1:1

Louvre System Type: MP2

Glazing Arrangement: Double Glazed, Frameless

Operation Type: Automated



Third Angle Projection

EBSA Pty Ltd
1300 327 200
sales@ebsa.com.au

EBSA NZ Ltd
+64 (0)9 8840025
info@ebsa.co.nz
www.ebsa.com.au

EBSA Pty Ltd reserves the right to make changes to the design and specifications as detailed on this drawing without prior notification.

Rev	Rev Date	Revision Description	Drawn
1	24.11.22	Area of operating mechanism notes/details added	L.C.
0	21.08.18	Original issue	L.C.

Copyright 2021 EBSA Pty. Ltd. This Drawing May Not Be Relayed Without Our Approval. All dimensions in mm

Drawing Reference: EBSA-MP2-FL-1

Title: MP2 Louvre System: SGI Frameless, Double Glazed

Date: 21.08.2018

Scale: As Details Paper Size: A3 Sheet No: 2 of 2